

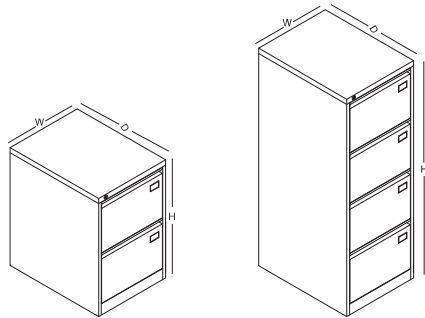
STORAGE/Aisle and Back Storage/ **Vertical Filing Cabinet**



**Features:**

- Smooth drawer movement with **precision telescopic slider mechanism**
- An **anti-rebound mechanism** to prevent the drawer from coming out after it is pushed in
- An **anti-tipping mechanism** that allows only one drawer to be opened at a time to prevent toppling over of the cabinet

**Line Diagram**



**Specification**

*All sizes in CM*

Model	Length	Depth	Height
2 Drawer VFC	47	62	71
4 Drawer VFC	47	62	132

**Colour Swatch**



PW82  
Prince  
Grey



PW09  
Cloud  
Grey



PW27  
Tex. Bond  
White